

# VISION MAX X

ULTRA BRIGHT ENERGY EFFICIENT ALL WEATHER DOOH



### Vivid Colours

Complete grayscale reproduction, wide viewing angles and a high contrast ratio all contribute to the vivid and natural images of VISION MAX X. Moreover, ultrahigh bright LEDs ensure brilliant images even in direct sunlight.

### Power Saving

The superb energy performance delivered by Common Cathode technology reduces power usage by 30%, making VISION MAX X a class leader.

### Servicing

Maintained from the front or rear with all components quickly accessible and easy to replace. Whether it's a power supply, LED tile or scan card, items can be hot-swapped in minutes, if not seconds.



### Lightweight and Fire Retardant

At around 30kg/sqm, courtesy of a lightweight aluminium design and hard contact cabling, VISION MAX X returns a lightweight but robust screen system. Whilst the reduced cabling helps with weight reduction, no compromise is made on quality, with the system's classification for fire retardancy achieving TÜV 5VB status - this is a big plus for VISION MAX X with specifications and tenders increasingly calling for these standards.

### Curving

For a customised look the VISION MAX X can be adapted during manufacture to allow soft, rounded, and mitred corners. VISION MAX X allows inter-panel angling up to 10 degrees for faceted curving, allowing a creative touch to a concave or convex screen system.



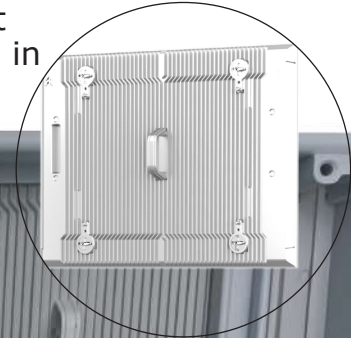
### ZEUS<sup>®</sup> optional

digiLED ZEUS<sup>®</sup>, a revolutionary new way to manage the energy savings, can be included as an option for your screen. Z in ZEUS stands for ZERO – and that's exactly how much energy your screen will consume when digiLED ZEUS<sup>®</sup> is activated.

## FEATURES

Quick and easy mounting plate design

480mm x 320mm diecast aluminium LED tiles facilitate fast, efficient heat dissipation, even in the hottest climates



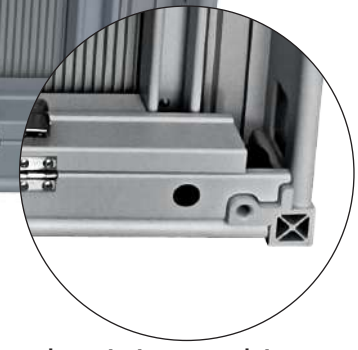
Front or rear servicing



Fire retardant cabinet (5VB)



Hard-wired and hidden cabling in a neat management tray at the base



Entirely aluminium cabinet construction gives excellent heat dissipation

## OPTIONAL PANEL SIZES

960 x 640mm, 960 x 1280mm, 1440 x 640mm and 1440 x 960mm cabinets can be used for flexibility and convenience

960 x 640mm



960 x 1280mm



1440 x 640mm



1440 x 960mm



## SPECIFICATIONS

OUTDOOR		VISION MAX X 5710o	VISION MAX X 6670o	VISION MAX X 8000o	VISION MAX X 10o
Physical Pixel Pitch (HxV) mm		5.714	6.667	8	10
Pixel Resolution (Width/Height)	pixels/panel	168/168	144/144	120/120	96/96
LED Tile Dimensions (W X H)	mm	480 x 320			
Panel Dimensions (W x H)	mm	960 x960			
Optional Panel Dimensions (W x H)	mm	960 x 640, 960 x 1280, 1440 x 640 and 1440 x 960			
Panel Depth	mm	101.2			
Standard Panel Area	m2	0.9216			
Standard Weight	kg/m2	30.4			
Ingress Protection	(Front/Rear)	IP66/IP66			
Maintenance Access		All Front or All Rear			
Standard Refresh Rate	Hz	≥3840			
Brightness*	nits	≥6500	≥6500	≥7500	≥7500
Calibrated Brightness*	nits	≥5850	≥5850	≥6750	≥6750
Curving Minimum Radius	mm	960			
Corner Options	degrees	Yes 90			
Input Voltage	VAC/Hz	100-250/50-60			
Max Power Consumption**	W/sqm	≥580	≥581	≥550	≥550
Typical Working Power Consumption**	W/sqm	≥165	≥174	≥165	≥165
Operating Temperature (min/max)	degC	-20 up to +60			
Certification		CE (IEC82368-1), FCC, UL, ETL, EMC, LVD, RoHS, CB (TUV SUD)			
Fire Proofing		5VB (TUV SUD)			
HDR***		(see foot note)			

All specifications are subject to change without prior notification. E&OE.

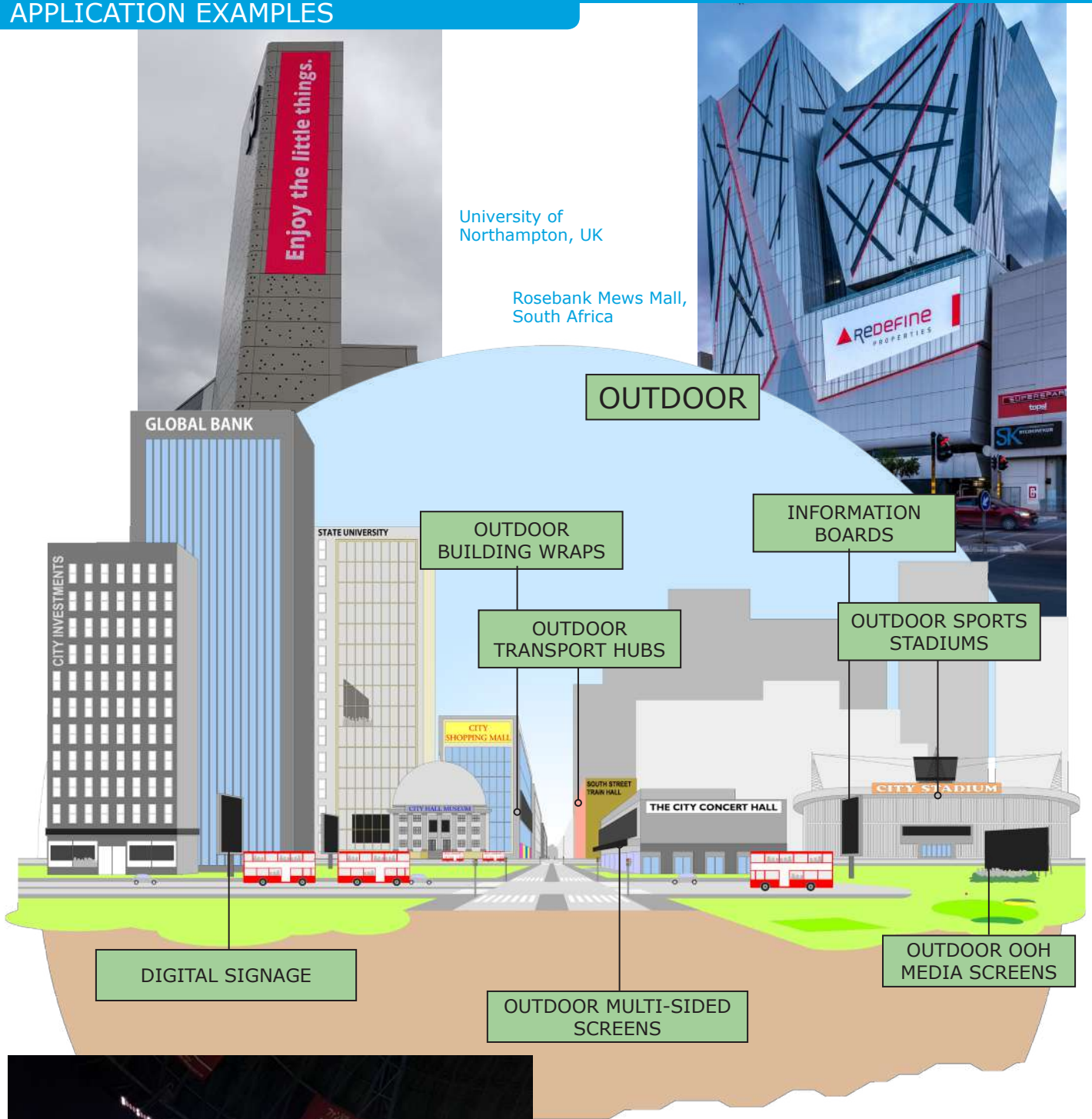
Specifications are for standard system configuration. Contact your digiLED expert for detailed specification.

\*The figures shown for brightness are standard guideline figures only and based on average test laboratory conditions.

\*\* The figures shown for power consumption are standard guideline figures only and based on average test laboratory conditions.

\*\*\*HDR: Subject to system configuration and processing.

APPLICATION EXAMPLES



37,500 Seater Stadium, Japan

### ZEUS®

LED Screens used in commercial installations rarely operate 24/7. Venues and auditoriums don't have a permanent audience. A dirty secret of our industry is that often, when a screen is not in use, it is simply displaying a black image or video. The power is still live, using 7% to 17% of the maximum energy consumption or, looked at another way, up to 50% of the average energy usage!

Designed in the UK, digiLED's patent pending ZEUS® stands for "Zero Energy Use System". A screen set to black with digiLED ZEUS will use ZERO power. Additionally, ZEUS cards are manufactured in Liverpool and Dorking (UK). More details on ZEUS® in the dedicated ZEUS brochure.

### Recyclable Material

Aluminium is used extensively in digiLED's LED tiles and the frames/chassis. As one of the most widely recycled materials on earth, this gives excellent options when considering how to dispose of an end-of-life digiLED screen.

LED tiles that are constructed out of aluminum retain a high materials value at the end of their life. These are much more likely to be shredded and metal-extracted before waste processing is considered complete.



Copper also makes up a large percentage of the product by weight - again, easily recyclable.

RoHS standards are closely monitored during production (and other international standards appropriate to the region). An example of this is the environment, chemical and processes audit of one of our production lines by Sony before they approved the use of digiLED.

### **228-Step Production Plan**

The digiLED 228-step Production Plan helps us manage processes so we can hit schedules and plan logistics efficiently, therefore avoiding the need to revert to air freight which uses 44 times more CO<sub>2</sub> than a ship. The 228-Step Production Plan also ensures that digiLED makes high quality products, meaning that it will give years of reliable, trouble-free service; the best decision for the environment is not to buy on price but to buy a product that will last for years.

### **Shipping**

Sea freight is prioritised as the shipping method from China as it uses 44 times less CO<sub>2</sub> than air transport delivery.

### **Serviceable**

digiLED always briefs clients that a well-maintained screen will have a life expectancy of 10 years plus. As a company, we stand by this by offering tech support and parts for all legacy products. Currently, the oldest clients screen supported by digiLED is 14 years old and requires windows XP to operate it - but it still operates.



### Our Ethos

Our goal is to do business with suppliers and customers whose company we enjoy and whose principles and values we respect.

We endeavour to be politely firm in our beliefs and steadfastly uphold our standards by doing the job correctly to produce quality products, supplied with loving care, to customers who cherish our systems and the enthusiastic, friendly expertise we strive to provide.

We love our work and are proud of our experience and our expertise. We want to do business with people who see the benefits of what we do and appreciate our input.

digiLEDers are keen to offer advice and an insight into our specialist knowledge without demanding a commercial return, if we can't convince customers of our value, we don't deserve their patronage.

### Our Products

Huge, bright, vibrant, bespoke, digiLED screens are designed by seasoned LED experts, then crafted and assembled in selected, specialist factories.

Assembly, production and testing is monitored by the industry's leading QC team, using a proven 228-step manufacturing QC process paying meticulous attention to fine detail.

The resulting digiLED screens exhibit superior images, provide reliable performance and extended life. Supported locally by experienced, qualified, field and bench engineers. **digiLED quality just lasts.**

## CONTACT US

### LONDON

UK HEAD OFFICE

The Pixel Depot, Copse Farm, Moorhurst Lane, Beare Green, Surrey RH5 4LJ UK

tel: +44 20 7381 7840 e-mail: [info@digiLED.com](mailto:info@digiLED.com)



Sales



Admin



Pixel Depot



Tech Hub



Service Lab

---

### LAS VEGAS

The Pixel Depot, 365 Pilot Road, Suite A, Las Vegas, Nevada, 89119, USA

tel: +44 20 7381 7840 e-mail: [info@digiLED.com](mailto:info@digiLED.com)



Sales



Admin



Pixel Depot



Tech Hub



Service Lab

---

### DALLAS

digiLED Service Lab, 8291 Gateway Dr, Argyle, TX 76226, USA



Service Lab

---

### SHENZHEN

SHENZHEN DIGI TECHNOLOGY CO. LTD,

The Pixel Depot, Room 1807, Haohai Junyue Bldg, 2092 Shenyan Road, Hai Shan Street, Yantian District, Shenzhen 518000, China



Tech Hub



Logistics



Service Lab

---

### SALES OFFICES IN MILAN, THE HAGUE, NANTES AND TOKYO

#### TALK TO US AND BE SOCIAL

+44 20 7381 7840 [info@digiLED.com](mailto:info@digiLED.com) [www.digiLED.com](http://www.digiLED.com)



digiLED\_



digiLEDscreens



digiLEDscreens



digiLED\_