

# VISION MAX Q

RELIABLE, SLEEK, CURVABLE AND CREATIVE



## Vivid Colours

Complete grayscale reproduction, wide viewing angles and a high contrast ratio all contribute to the vivid and natural images of VISION MAX Q. Moreover, ultra bright LEDs ensure brilliant images even in direct sunlight.

## Bulletproof Performance

Reliability is taken to the next level with VISION MAX Q. Using the highest quality electronics from leading manufacturers, housed in an IP66 fully weatherproofed aluminium enclosure, it is ingress protected from moisture, dust, and heat/cold thermal fluctuations with the use of breather valves. In addition, VISION MAX Q is hard-wired internally, providing super-reliable component connections.

## Servicing

Maintained from the front or rear with all components quickly accessible and easy to replace. Whether it's a power supply, LED tile or scan card, items can be hot-swapped in minutes, if not seconds.

## Lightweight and Fire Retardant

At around 34kg/sqm, courtesy of a lightweight aluminium design, VISION MAX Q returns a lightweight but still robust screen system. It has classification for fire retardancy achieving TÜV 5VB status - this is a big plus for VISION MAX Q with specifications and tenders increasingly calling for these standards.

## Sleek and Neat Design

Hidden power and data cable route protects them from damage and provides a neat installation.

## ZEUS<sup>®</sup> included

digiLED ZEUS<sup>®</sup> is a revolutionary new way to manage the energy savings for your screen. Z in ZEUS stands for ZERO – and that's exactly how much energy your screen will consume when digiLED ZEUS<sup>®</sup> is activated.

## FEATURES

Quick and easy mounting plate design



Front or rear servicing



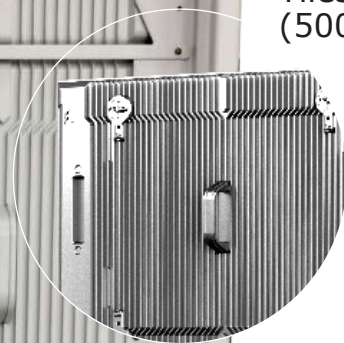
Minimum 30% power saving

PDU at the bottom for easy servicing access



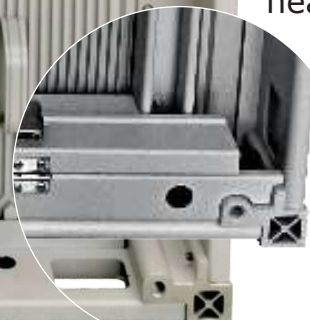
Hard wired and hidden cable design at top of the cabinet

Universal LED Tiles (500x250mm)



Fire retardant cabinet (5VB)

Entirely aluminium cabinet construction allows excellent heat dissipation



## OPTIONAL PANEL SIZES

500 x 500mm, 500 x 750mm and 500 x 1000mm cabinets can be used for flexibility and convenience.

500 x 500mm Cabinet



500 x 1000mm Cabinet



500 x 750mm Cabinet



## SPECIFICATIONS

<b>OUTDOOR</b>		VISION MAX Q3910o	VISION MAX Q4810o
Physical Pixel Pitch (HxV) mm		3.906	4.808
Pixel Resolution (Width/Height)	pixels/panel	128/256	104/208
LED Tile Dimensions (W X H)	mm	500 x 250	
Panel Dimensions (W x H)	mm	500 x 1000	
Optional Panel Dimensions (W x H)	mm	500 x 500, 500 x 750	
Panel Depth	mm	101.2	
Standard Panel Area	m2	0.5	
Standard Weight	kg/m2	34	
Ingress Protection	(Front/Rear)	IP66/IP66	
Maintenance Access		All Front or All Rear	
Standard Refresh Rate	Hz	≥3840	
Brightness*	nits	5500 <sup>1</sup> - 7000 <sup>2</sup>	5500 <sup>1</sup> - 7000 <sup>2</sup>
Calibrated Brightness*	nits	4950 <sup>1</sup> - 6300 <sup>2</sup>	4950 <sup>1</sup> - 6300 <sup>2</sup>
Curving Minimum Radius	mm	1000	
Corner Options	degrees	Yes 90	
Input Voltage	VAC/Hz	100-250/50-60	
Max Power Consumption**	W/sqm	≥600	≥600
Typical Working Power Consumption**	W/sqm	≥180	≥180
Operating Temperature (min/max)	degC	-20 up to +60	
Certification		CE (IEC82368-1), FCC, UL, ETL, EMC, LVD, RoHS, CB (TUV SUD)	
Fire Proofing		5VB (TUV SUD)	
HDR***		(see foot note)	

All specifications are subject to change without prior notification. E&OE.

Specifications are for standard system configuration. Contact your digiLED expert for detailed specification.

\*The figures shown for brightness are standard guideline figures only and based on average test laboratory conditions.

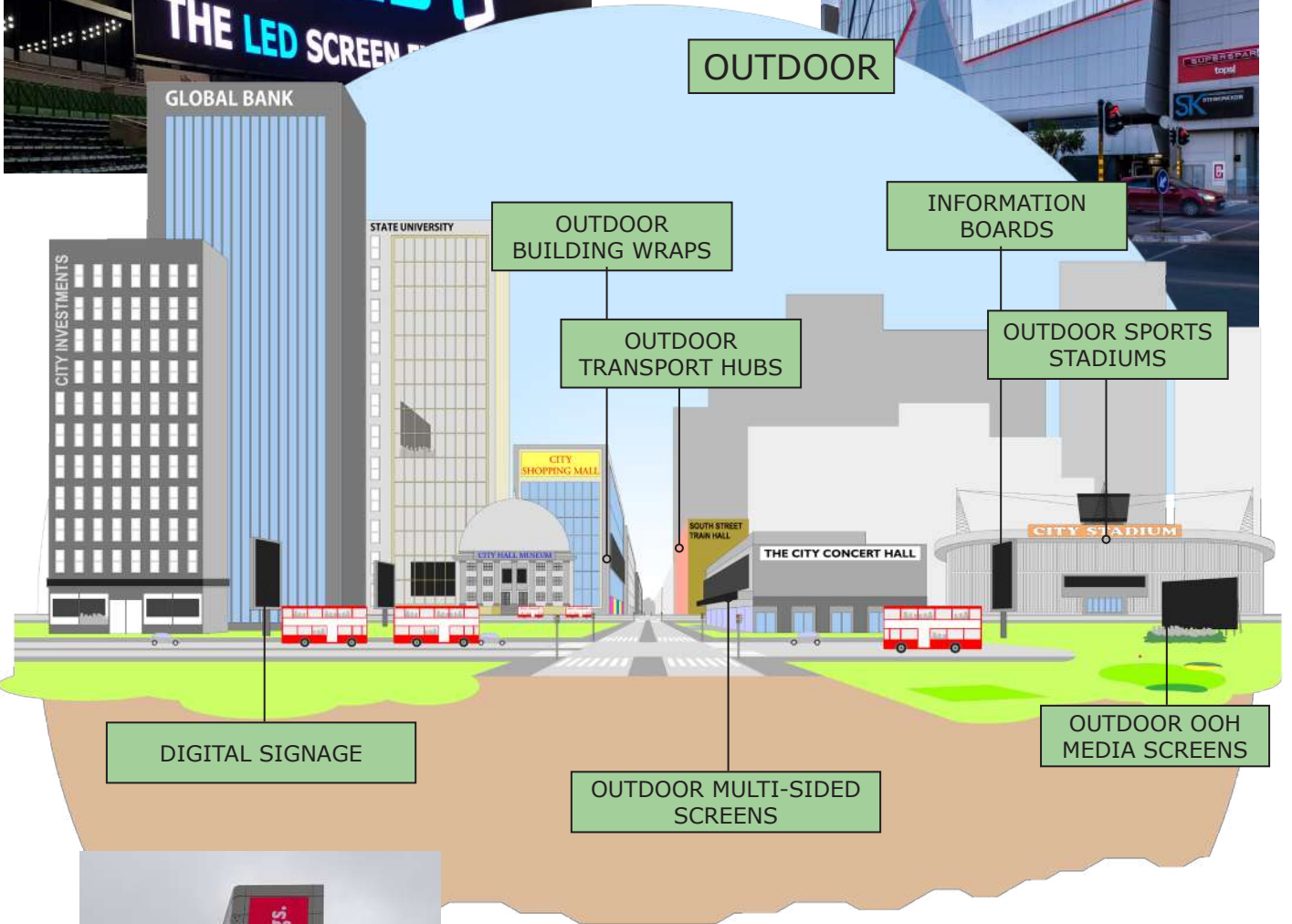
\*\* The figures shown for power consumption are standard guideline figures only and based on average test laboratory conditions.

\*\*\*HDR: Subject to system configuration and processing.

Brightness (XXXX<sup>1</sup>): Nationstar FM gold wire LEDs used

Brightness (XXXX<sup>2</sup>): Nationstar RS gold wire LEDs used

APPLICATION EXAMPLES



### ZEUS®

LED Screens used in commercial installations rarely operate 24/7. Venues and auditoriums don't have a permanent audience. A dirty secret of our industry is that often, when a screen is not in use, it is simply displaying a black image or video. The power is still live, using 7% to 17% of the maximum energy consumption or, looked at another way, up to 50% of the average energy usage!

Designed in the UK, digiLED's patent pending ZEUS® stands for "Zero Energy Use System". A screen set to black with digiLED ZEUS will use ZERO power. Additionally, ZEUS cards are manufactured in Liverpool and Dorking (UK). More details on ZEUS® in the dedicated ZEUS brochure.

### Recyclable Material

Aluminium is used extensively in digiLED's LED tiles and the frames/chassis. As one of the most widely recycled materials on earth, this gives excellent options when considering how to dispose of an end-of-life digiLED screen.

LED tiles that are constructed out of aluminum retain a high materials value at the end of their life. These are much more likely to be shredded and metal-extracted before waste processing is considered complete.



Copper also makes up a large percentage of the product by weight - again, easily recyclable.

RoHS standards are closely monitored during production (and other international standards appropriate to the region). An example of this is the environment, chemical and processes audit of one of our production lines by Sony before they approved the use of digiLED.

### **228-Step Production Plan**

The digiLED 228-step Production Plan helps us manage processes so we can hit schedules and plan logistics efficiently, therefore avoiding the need to revert to air freight which uses 44 times more CO<sub>2</sub> than a ship. The 228-Step Production Plan also ensures that digiLED makes high quality products, meaning that it will give years of reliable, trouble-free service; the best decision for the environment is not to buy on price but to buy a product that will last for years.

### **Shipping**

Sea freight is prioritised as the shipping method from China as it uses 44 times less CO<sub>2</sub> than air transport delivery.

### **Serviceable**

digiLED always briefs clients that a well-maintained screen will have a life expectancy of 10 years plus. As a company, we stand by this by offering tech support and parts for all legacy products. Currently, the oldest clients screen supported by digiLED is 14 years old and requires windows XP to operate it - but it still operates.



### Our Ethos

Our goal is to do business with suppliers and customers whose company we enjoy and whose principles and values we respect.

We endeavour to be politely firm in our beliefs and steadfastly uphold our standards by doing the job correctly to produce quality products, supplied with loving care, to customers who cherish our systems and the enthusiastic, friendly expertise we strive to provide.

We love our work and are proud of our experience and our expertise. We want to do business with people who see the benefits of what we do and appreciate our input.

digiLEDers are keen to offer advice and an insight into our specialist knowledge without demanding a commercial return, if we can't convince customers of our value, we don't deserve their patronage.

### Our Products

Huge, bright, vibrant, bespoke, digiLED screens are designed by seasoned LED experts, then crafted and assembled in selected, specialist factories.

Assembly, production and testing is monitored by the industry's leading QC team, using a proven 228-step manufacturing QC process paying meticulous attention to fine detail.

The resulting digiLED screens exhibit superior images, provide reliable performance and extended life. Supported locally by experienced, qualified, field and bench engineers. **digiLED quality just lasts.**

## CONTACT US

### LONDON

UK HEAD OFFICE

The Pixel Depot, Copse Farm, Moorhurst Lane, Beare Green, Surrey RH5 4LJ UK

tel: +44 20 7381 7840 e-mail: [info@digiLED.com](mailto:info@digiLED.com)

 [Sales](#)  [Admin](#)  [Pixel Depot](#)  [Tech Hub](#)  [Service Lab](#)

---

### LAS VEGAS

The Pixel Depot, 365 Pilot Road, Suite A, Las Vegas, Nevada, 89119, USA

tel: +44 20 7381 7840 e-mail: [info@digiLED.com](mailto:info@digiLED.com)

 [Sales](#)  [Admin](#)  [Pixel Depot](#)  [Tech Hub](#)  [Service Lab](#)

---

### DALLAS

digiLED Service Lab, 8291 Gateway Dr, Argyle, TX 76226, USA

 [Service Lab](#)

---

### SHENZHEN

SHENZHEN DIGI TECHNOLOGY CO. LTD,

The Pixel Depot, Room 1807, Haohai Junyue Bldg, 2092 Shenyan Road, Hai Shan Street, Yantian District, Shenzhen 518000, China





 [Tech Hub](#)  [Logistics](#)  [Service Lab](#)

---

### SALES OFFICES IN MILAN, THE HAGUE, NANTES AND TOKYO

### TALK TO US AND BE SOCIAL

+44 20 7381 7840 [info@digiLED.com](mailto:info@digiLED.com) [www.digiLED.com](http://www.digiLED.com)

 [digiLED\\_](#)  [digiLEDscreens](#)  [digiLEDscreens](#)  [digiLED\\_](#)