

ULTRA BRIGHT, VERSATILE, RENTAL & STAGING LED PANELS





Ultra Bright

7000 NITs calibrated brightness for outdoor panels - 40% higher than typical rental panels.



Quick Swap Field Service Components

Universal tiles fit in any position on both panel sizes, Universal Power Data Pack (PDP) also fit both panel sizes. Only 2 components needed for operational replacement.



LED Protection

High resolution panels are more fragile, corner and edge protectors help avoid accidental damage and "safety bumpers" avoid breakages when grounding panels.



Concave, Convex, 90° Corners, Even Flat Screens

Built-in radial selectors on each panel allow preset angles to be easily selected in 3° increments. Optional 90° panels also available for custom projects.



5 Year Warranty

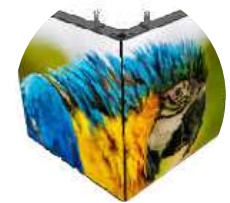
As with all digiLED Premium products, PROTEK comes with a 5 year warranty. Contact your local Service Lab via online RMA for our renowned fast turnaround.

- **PROTEK** Features the option of a poster support base allowing panels to be used individually, or together, for video poster applications.

- **PROTEK** Revolutionary fastlock systems allow a single operator to quickly connect panels horizontally and vertically.

- **PROTEK** Flight cases feature "all terrain wheels" for rough ground and "peep-holes" to identify full and empty cases.

- Standard **PROTEK** panels use high brightness gold thread LEDs and high speed Macroblock driver ICs. Lower brightness LED options and ChipOne driver ICs are also available. Processing options include Brompton, Quantum or Novastar.



FEATURES

Quick lock king pins
[Click to see video](#)



Locking screw for LED tile security during transit

Security lanyard

Quick side locks

Speedy lock PDP attachment

Universal PDP (Power Data Pack)
[Click to see video](#)

Radial dial-in adjuster lock - for curving
[Click to see video](#)

Universal tile fits large and standard sized panels
[Click to see video](#)

LED corner protectors
[Click to see video](#)

Optional poster stand adapter

LED floor edge protectors

SPECIFICATIONS

	PROTEK 3910o	PROTEK 4810o
OUTDOOR		
Physical Pixel Pitch (HxV) mm	3.906	4.808
Standard Pixel Resolution (W/H) pixels/panel	128/256	104/208
Standard Panel Dimensions (W x H x D) mm	500 x 1000 x 92	
Optional Panel Dimensions (W x H x D) mm	500 x 500 x 92	
Optional Angled Corner Panel	Yes (90 deg)	
Curving Radius (min.) m	4.775	
Standard Panel Area m ²	0.5	
Standard Panel Weight kg/m ²	26.8	26.8
Optional Panel Weight kg/m ²	38.4	38.4
Ingress Protection (Front/Rear)	Outdoor IP65/IP65	
Maintenance Access	All Front or rear	
Standard Refresh Rate Hz	≥3840	
Uncalibrated Brightness* nits	≥7500	≥7500
Calibrated Brightness* nits	≥7000	≥7000
Input Voltage VAC/Hz	100-250/50-60	
Max Power Consumption** W/sqm	700	700
Typical Working Power Consumption** W/sqm	210	210
Operating Temperature (min/max) degC	-40/+70	
Certification	CE (IEC62368-1 TBC), FCC, ETL, EMC, LVD, RoHS	
HDR***	(see foot note)	

	PROTEK 2230
INDOOR	
Physical Pixel Pitch (HxV) mm	2.232
Standard Pixel Resolution (W/H) pixels/panel	224/224
Standard Panel Dimensions (W x H x D) mm	500 x 500 x 92
Optional Panel Dimensions (W x H x D) mm	Not available
Optional Angled Corner Panel	Yes (90 deg)
Standard Panel Area m ²	0.25
Standard Panel Weight**** kg/m ²	46
Optional Panel Weight kg/m ²	Not available
Ingress Protection (Front/Rear)	Indoor IP30/IP30
Maintenance Access	All Front or rear
Standard Refresh Rate Hz	≥7680
Uncalibrated Brightness* nits	≥1400
Calibrated Brightness* nits	≥1200
Input Voltage VAC/Hz	100-250/50-60
Max Power Consumption** W/sqm	1400
Typical Working Power Consumption** W/sqm	420
Operating Temperature (min/max) degC	-40/+70
Certification	CE (IEC62368-1 TBC), FCC, ETL, EMC, LVD, RoHS
HDR***	(see foot note)

All specifications are subject to change without prior notification. E&OE.

Specifications are for standard system configuration. Contact your digiLED expert for detailed specification.

*The figures shown for brightness are standard guideline figures only and based on average test laboratory conditions.

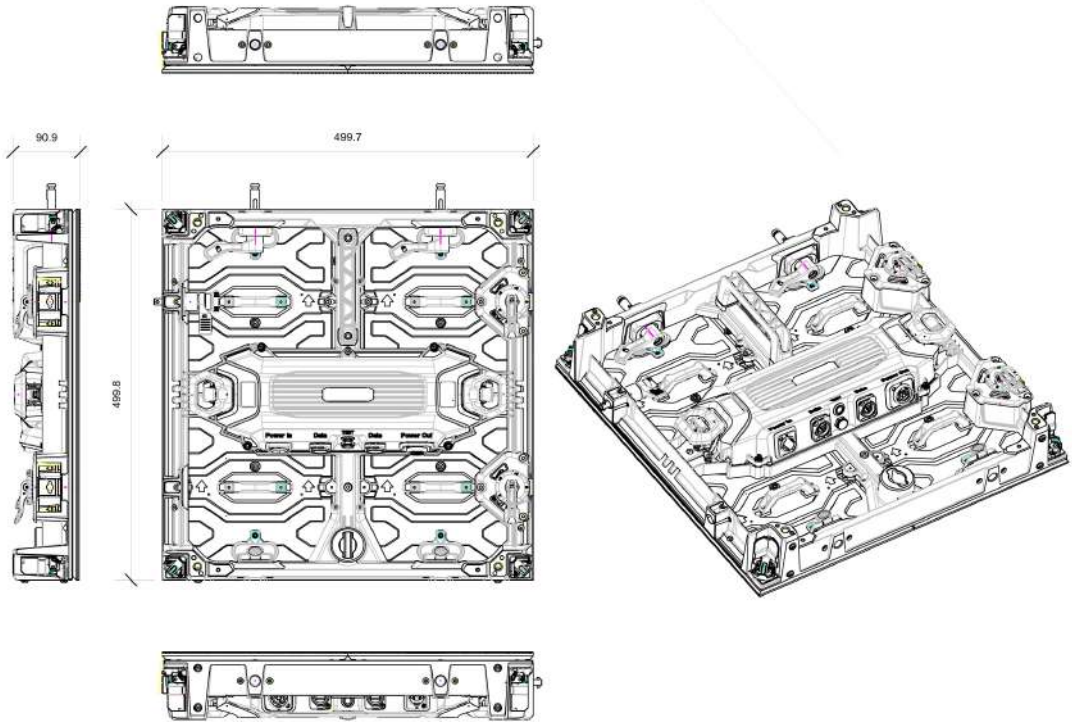
** The figures shown for power consumption are standard guideline figures only and based on average test laboratory conditions.

***HDR: Subject to system configuration and processing.

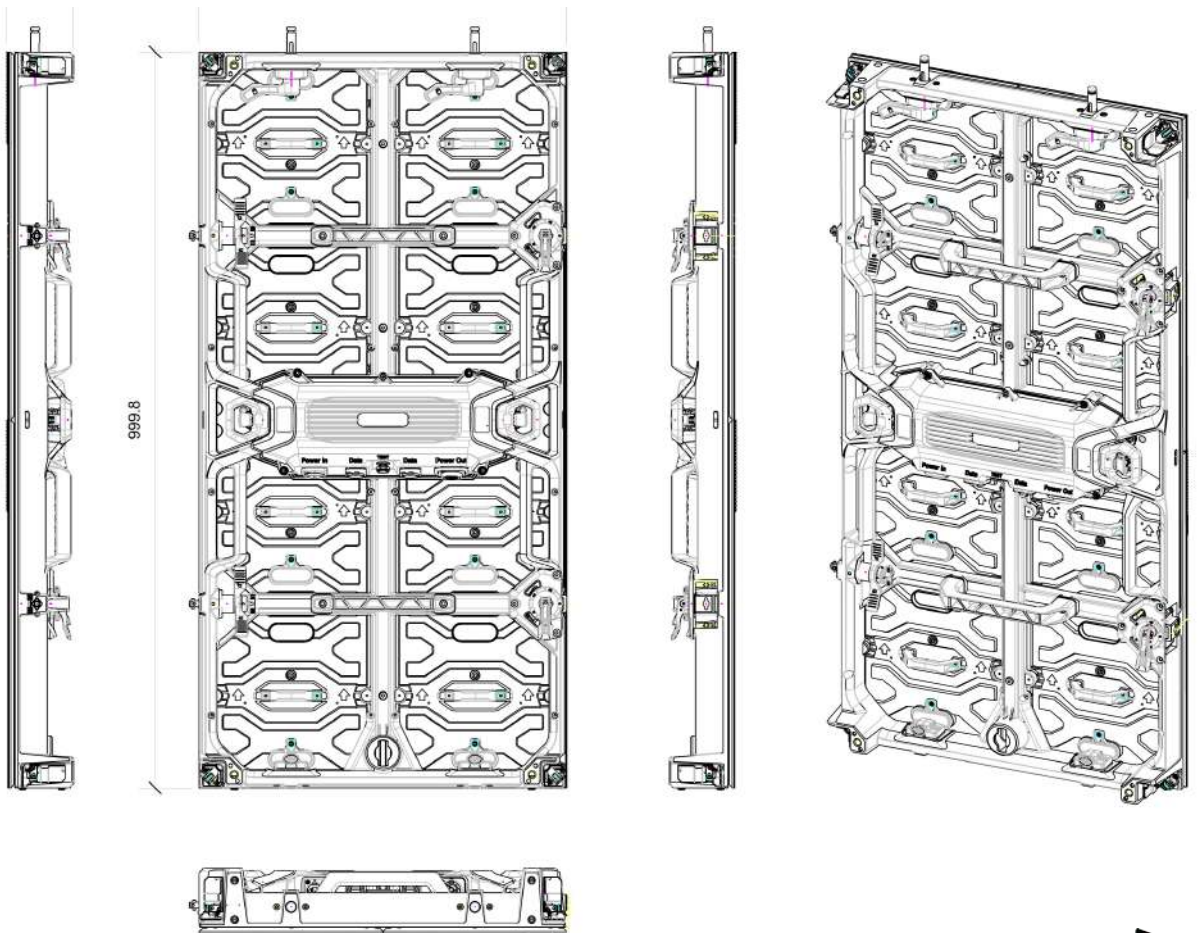
**** Weight: The indoor model comes with aluminium alloy LED tile bases which increases the weight compared to plastic tile bases.

PANEL INFORMATION

PROTEK 500mm x 500mm x 90mm
STANDARD PANEL



PROTEK 500mm x 1000mm x 90mm
OPTIONAL PANEL





Versatile And Adaptable Support Offering:

Curveable:

- Traditional flat
- Concave curving (inward face of a curve is the screen surface)
- Convex curving (outward face of a curve is the screen surface)

Hanging:

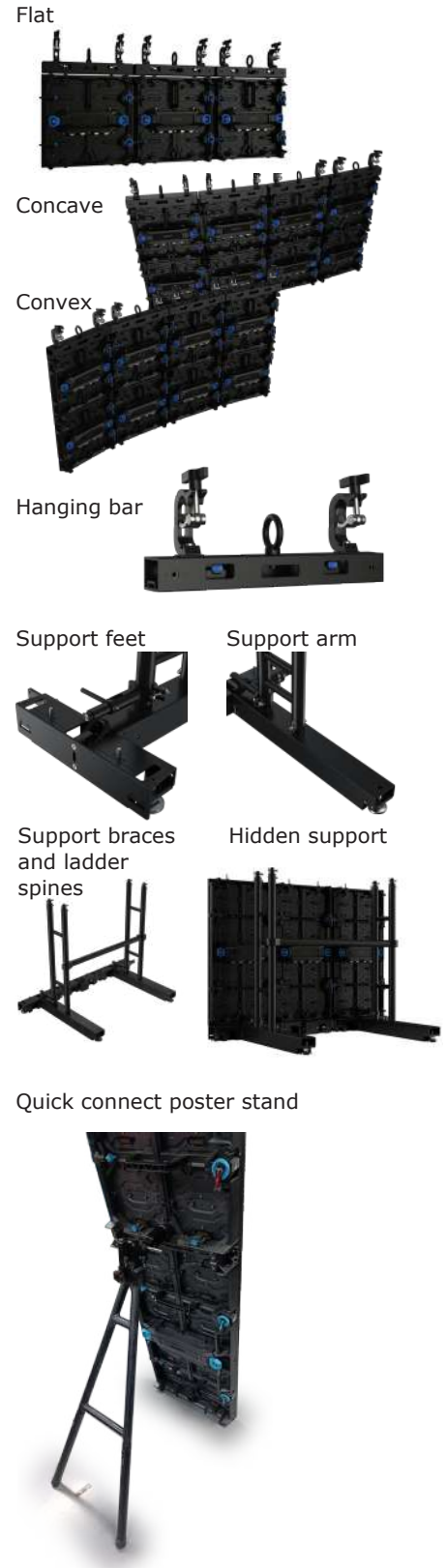
Comes with hanging bars at 500mm wide, each with a joiner adapter, an eyebolt and girder clamps which allows for connection to any existing support structure

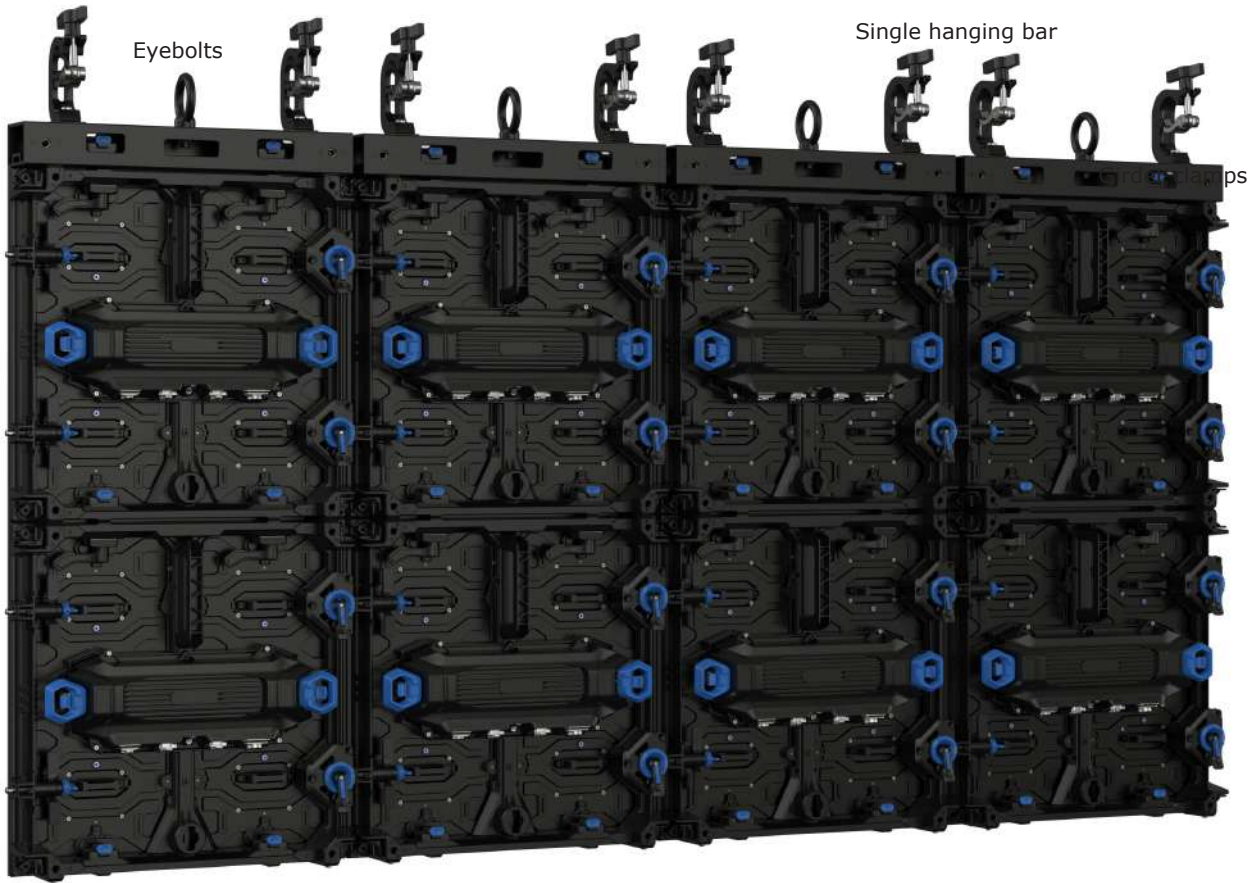
Ground support:

Comes with an accessory pack consisting of ladder spines, support arms with adjustable feet, counter weights and bracing bars all hidden behind the screen

Poster stand:

PROTEK panel size 500mm x 1000mm has a quick connect key lock poster attachment on the rear with a tripod stay at the back for a quick to install small poster style ad screen





Versatile for 500mm x500mm panels



3x single hanging bars with joiners





Main spine support ladder. Slides together with other sections and secured with spring linchpin



Adjustable feet



Main support arm



Ladder slots into main support arm



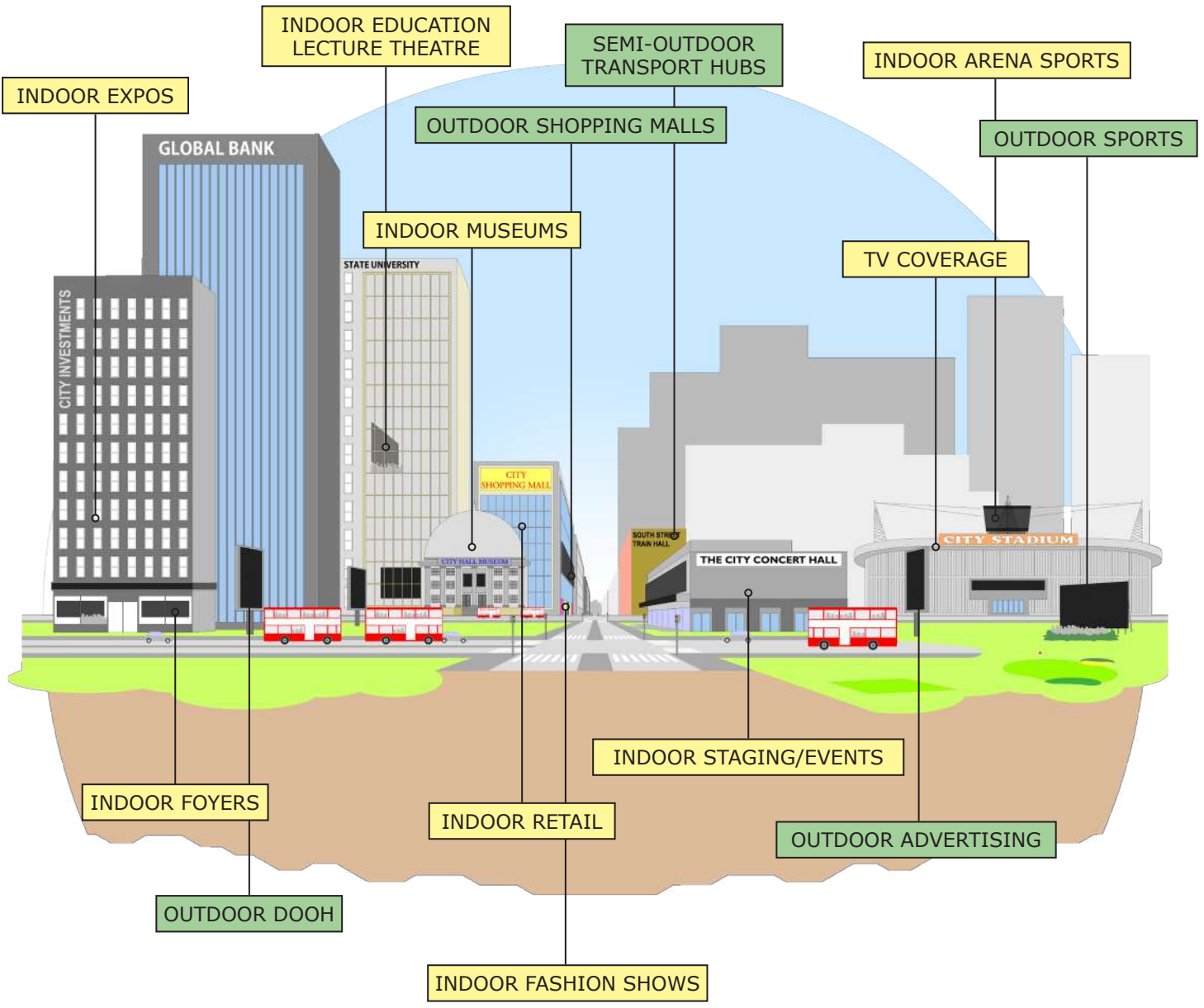
Quick connection slot for freestanding poster stand



Poster stand legs



INDOOR | **OUTDOOR**





THE ESSENCE OF A PREMIUM PRODUCT



BUILT WITH PREMIUM COMPONENTS: THE HIGHEST GRADE PARTS THROUGHOUT



BACKED BY OUR OWN HIGHLY KNOWLEDGEABLE digiLED TECH HUB QC ENGINEERS, THE INDUSTRY'S LEADING QC TEAM



COMES WITH A 5 YEAR WARRANTY: TECH HUB SERVICES LOCATED in US, UK, ASIA and SOUTH AFRICA



INCLUDES AN ENHANCED & COMPREHENSIVE SPARES PACKAGE



AN APPRECIATION FOR QUALITY



BUILT IN TRUSTED, PREMIUM PARTNERS ASSEMBLY PLANTS: MONITORED AND QUALITY CONTROLLED BY digiLED TECH HUB ENGINEERS



SUBJECT TO A COMPREHENSIVE 228 STEP QC PROGRAMME FROM POINT OF ORDER RIGHT THROUGH TO HANDOVER



FULLY CERTIFIED: CE, UKCA, FCC, CCC, ETL, RoHS, LVD, EMC



OPTION: BUILT-IN digiLED's ZEUS POWER MANAGEMENT SYSTEM AT ADDITIONAL COST

Our Ethos

Our goal is to do business with suppliers and customers whose company we enjoy and whose principles and values we respect.

We endeavour to be politely firm in our beliefs and steadfastly uphold our standards by doing the job correctly to produce quality products, supplied with loving care, to customers who cherish our systems and the enthusiastic, friendly expertise we strive to provide.

We love our work and are proud of our experience and our expertise. We want to do business with people who see the benefits of what we do and appreciate our input.

digiLEDers are keen to offer advice and an insight into our specialist knowledge without demanding a commercial return, if we can't convince customers of our value, we don't deserve their patronage.

Our Products

Huge, bright, vibrant, bespoke digiLED screens are designed using premium components, by seasoned LED experts, then crafted and assembled in selected specialist factories.

Assembly, production and testing is monitored by the industry's leading QC team, using a proven 228-step manufacturing QC process, paying meticulous attention to fine detail.

The resulting digiLED screens exhibit superior images, providing reliable performance throughout the 5-year warranty period and beyond. Supported locally by experienced, qualified, field and bench engineers.

digiLED quality just lasts.



CONTACT US

LONDON

UK HEAD OFFICE

The Pixel Depot, Copse Farm, Moorhurst Lane, Beare Green, Surrey RH5 4LJ UK

tel: +44 20 7381 7840 e-mail: info@digiLED.com

 [Sales](#)  [Admin](#)  [Pixel Depot](#)  [Tech Hub](#)  [Service Lab](#)

LAS VEGAS

The Pixel Depot, 365 Pilot Road, Suite A, Las Vegas, Nevada, 89119, USA

tel: +44 20 7381 7840 e-mail: info@digiLED.com

 [Sales](#)  [Admin](#)  [Pixel Depot](#)  [Tech Hub](#)  [Service Lab](#)

DALLAS

digiLED Service Lab, 8291 Gateway Dr, Argyle, TX 76226, USA

 [Service Lab](#)

SHENZHEN

SHENZHEN DIGI TECHNOLOGY CO. LTD,





The Pixel Depot, Room 1807, Haohai Junyue Bldg, 2092 Shenyan Road, Hai Shan Street, Yantian District, Shenzhen 518000, China

 [Tech Hub](#)  [Logistics](#)  [Service Lab](#)

SALES OFFICES IN MILAN, THE HAGUE, NANTES AND TOKYO

TALK TO US AND BE SOCIAL

+44 20 7381 7840 info@digiLED.com www.digiLED.com

 [digiLED_](#)  [digiLEDscreens](#)  [digiLEDscreens](#)  [digiLED_](#)