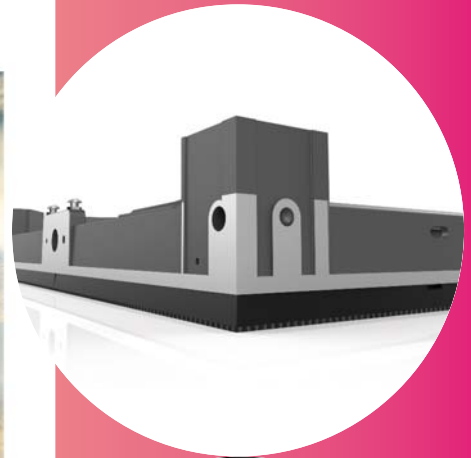


digiLED Sigma G



Vivid colours, full of super smart design features, including curving, push-click tile swaps, big module size but lightweight at the same time, indoor and outdoor versions makes the SIGMA G an excellent choice for fixed and rental requirements.

Quick and easy to install and indeed de-rig, the SIGMA G is a well designed LED solution with hanging or floor standing accessories.

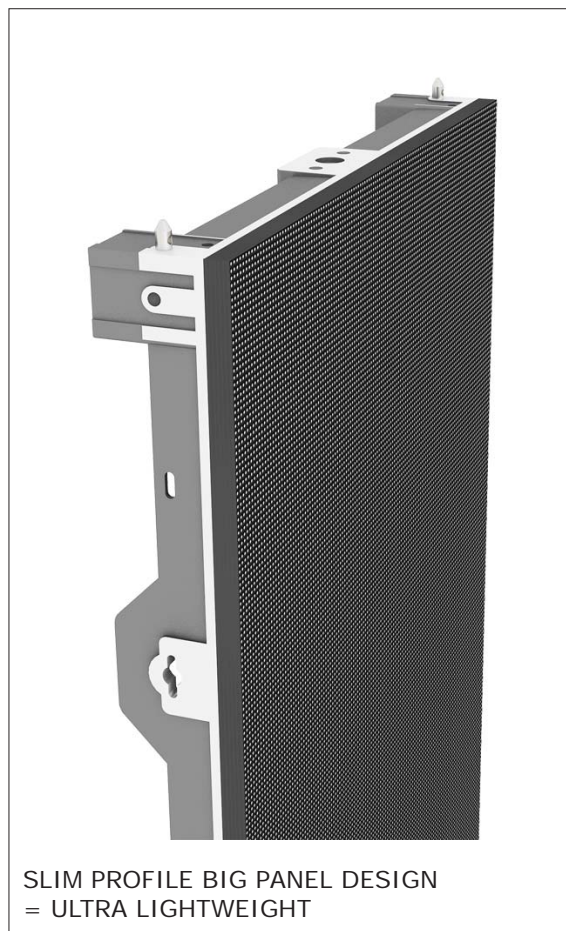
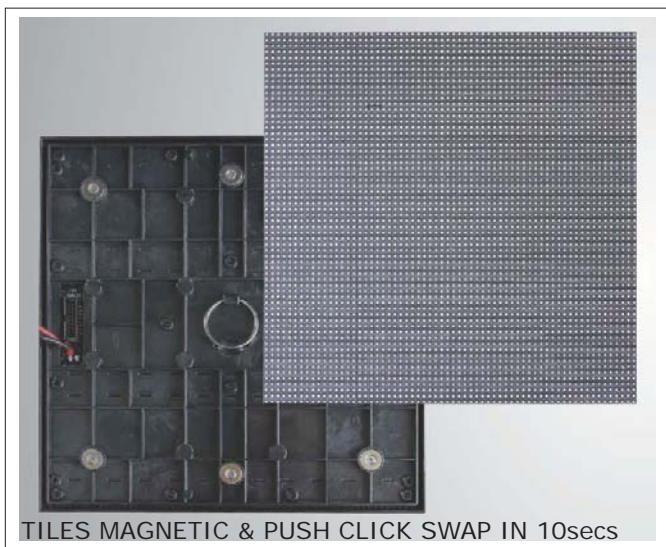
digILED SIGMA G MODULE SPECIFICATIONS

		SIGMA G2600L	SIGMA G3125L	SIGMA G3910L	SIGMA G4810L
LEDS					
Physical Pixel Pitch	mm	2.604	3.125	3.906	4.807
LEDs Per Pixel		1R1G1B			
Red Wavelength (Dominant)	nm	620			
Green Wavelength (Dominant)	nm	520			
Blue Wavelength (Dominant)	nm	465			
PIXELS					
Pixel Configuration		SMD 3-in-1			
LED Colour		Black body			
Physical Pixel Resolution (Width)	pixels/module	192	161	128	104
Physical Pixel Resolution (Height)	pixels/module	384	323	285	208
Physical Pixels Per Area (std module)	pixels/m2	147,456	104,006	72,960	43,264
MODULE					
Standard Active Module Width	mm	500			
Standard Active Module Height	mm	1,000 (500mm option)			
Active Module Area	m2	0.5			
Module Depth	mm	83			
Module Weight	kg	13			
Viewing Angle - Horizontal	degrees	> 160			
Viewing Angle - Vertical	degrees	> 160			
Ingress Protection	(Front)	IP40			
Ingress Protection	(Back)	IP21			
Surface Finish		Die-Cast Aluminium			
LED Fixings		Front or Rear access			
Storage Temperature Range	degree C	-10 to +45			
Operating Temperature Range	degree C	-10 to +40			
Operating Humidity Range	%	10 to 90 Non-condensing			
COLOUR					
Greyscale Processing Depth	bits	14			
Number of Colours		69 billion			
Refresh Rate	Hz	> 1,920			
BRIGHTNESS					
Brightness (Before Calibration)	nits	>800	>1,000	>1,000	>1,000
Brightness Control		Auto/Manual			
Contrast ratio		4,000:1			
POWER					
Input Voltage	VAC	110-230			
Input Power (Average)	watts/m2	72			
Input Power (Maximum)	watts/m2	240			
OTHER					
Lifespan	hours	>100,000			
Computer System Type		PC WIN 10, PC Win7, Vista, XP, WIN2000			
Video Input		DVI, HDMI			
Connectors		Seetronic or Genuine Neutrik PowerCon True1 & EtherCon USB and RJ45			
Control System		NovaStar			
Certification		EMC			

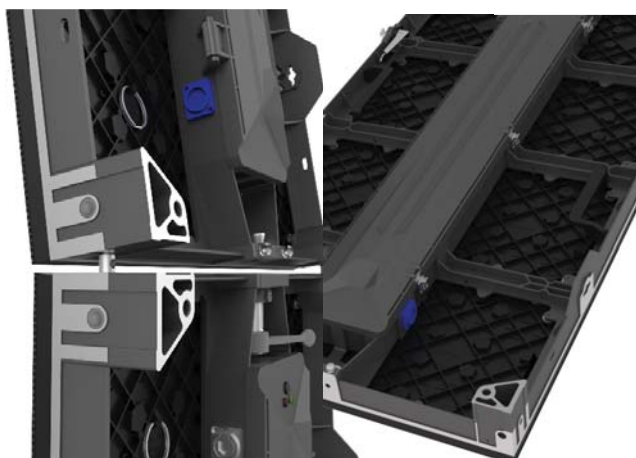
All specifications are correct at time of print, however they are liable to change and should be confirmed at point of order



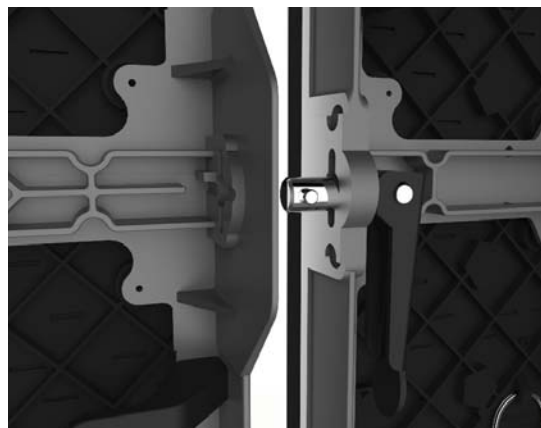
digiled SIGMA G MODULE DETAIL



digiled SIGMA G MODULE DETAIL



LOCATING PINS



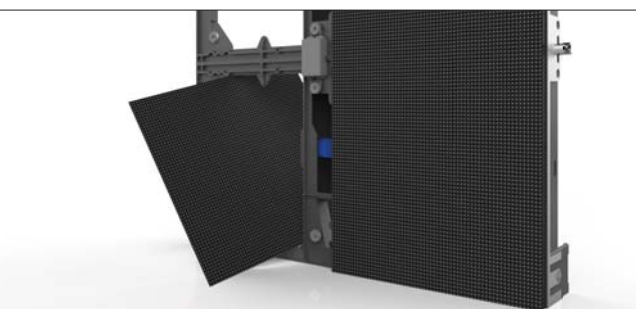
QUICK RELEASE SIDE LOCKS



500x500mm MODULE OPTION



QUICK RELEASE KINGPIN LOCKS



FRONT ACCESS SHOWING TILE SWAP FROM FRONT THROUGH TO REAR

